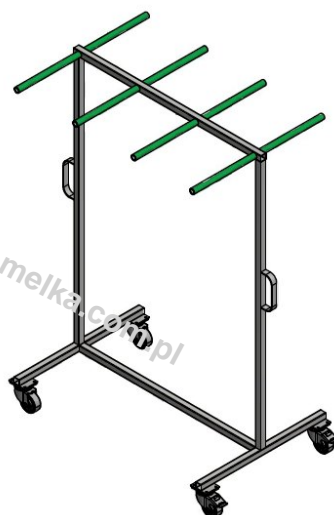


Trolley for transporting spacer frames

Kod produktu: WZ-08A/OF1883.00B

Data: 03.07.2026

www.melka.com.pl



The WZ-08A/OF1883.00B spacer frame transport trolley is a reliable solution that streamlines logistics in glass and window factories. Its robust construction and swivel wheels with brakes ensure stability and safety when moving heavy items. Its ergonomic design improves workflow, minimizing the risk of damage and increasing the efficiency of production processes.

Technical data:

- Total length: 1200 mm
- Overall width: 835 mm
- Total height: 1813 mm

The stroller is equipped with wheels:

- swivel castor with brake fi 100 (metal-rubber) x 2 pcs.
- swivel castor set 100 mm (metal-rubber) x 2 pcs.

